

Description

“Module 230Vac COB LED Array” is an LED module that can be powered directly from the 230VAC mains. The module can be attached directly into existing luminaries without drivers. It consists of built in 230VAC drivers to power the LED. The module is assembled on a large metal core PCB for effective heat distribution that decreases thermal resistance and increases reliability. The COB led can be made in various shapes as per customer requirement.



The **STANESH** edge

- Direct 230VAC mains operation
- Large MCPCB for effective heat distribution
- Easily integrated in existing luminaries
- Customizable shape as per customer requirement



Available Types

Part No.	Colour Temp. (K)
COB LED Array 230VAC module 3000K	Warm White (3000K)
COB LED Array 230VAC module 4000K	Warm White (4000K)
COB LED Array 230VAC module 5000K	Neutral White (5000K)
COB LED Array 230VAC module 6000K	Cool White (6000K)
COB LED Array 230VAC module >7000K	Cool White (>7000K)

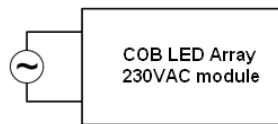
COB LED Array
230VAC module
(Model No)

<input type="checkbox"/>	3000K
<input type="checkbox"/>	4000K
<input type="checkbox"/>	5000K
<input type="checkbox"/>	6000K
<input type="checkbox"/>	>7000K

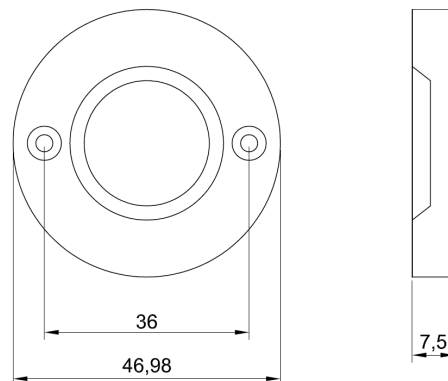
Electrical Specifications

Symbol	Description	Typical	Unit
V_{in}	Input voltage	230	VAC
I_{nom}	AC Input current ($\pm 10\%$)	0.06	A
P_{in}	Power	12	W
t_a	Ambient Temperature	40	$^{\circ}C$
t_c	Rated maximum temperature	70	$^{\circ}C$

Connection Diagram



Mechanical Specification



(All dimensions are in mm)